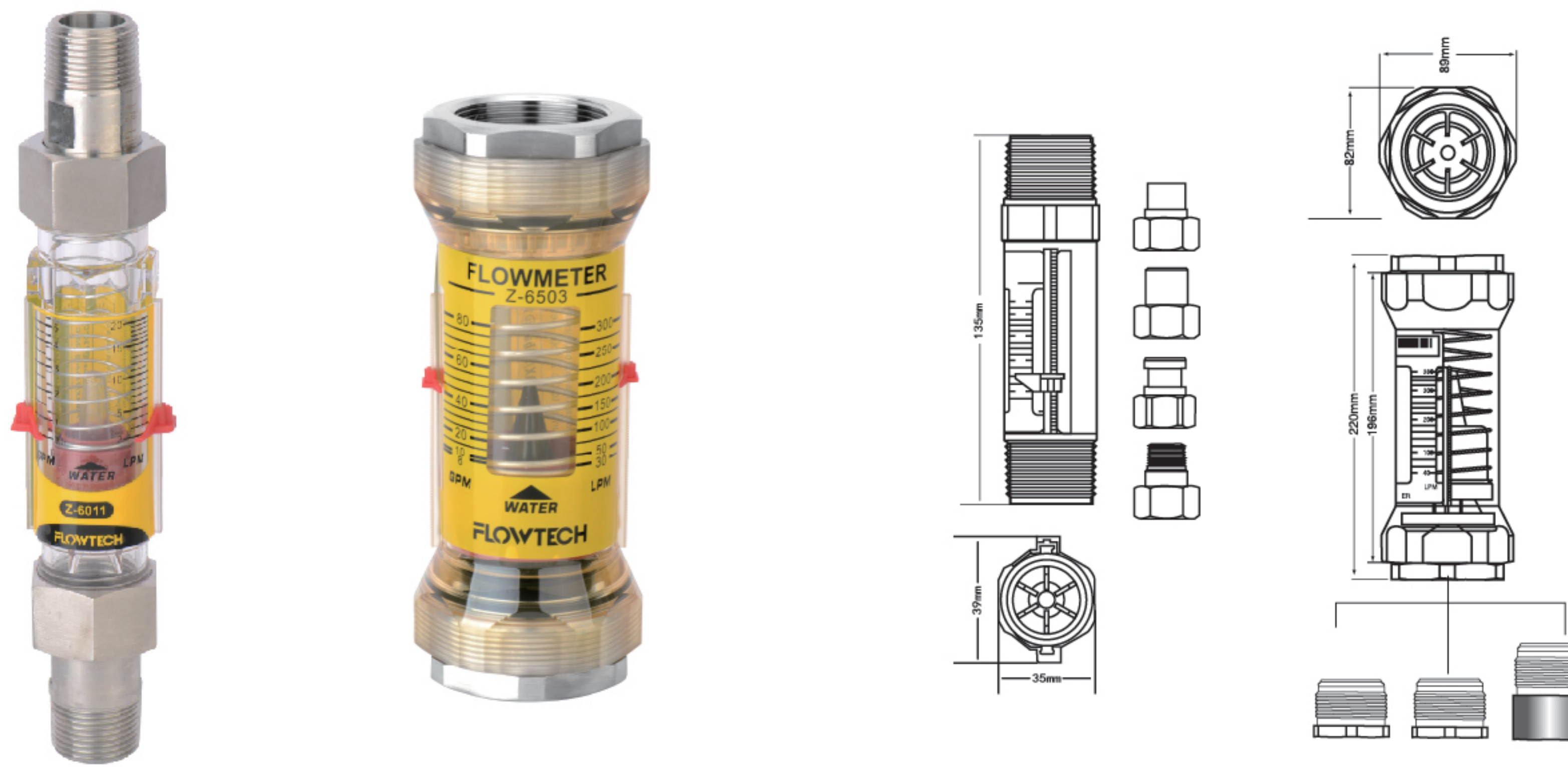


# The Series Z-6000/Z-6500

# In-line Flow Monitor

Unrestricted mounting, dual scales, optional switch output, from 1/2" - 2" Pipe



The Series Z-6000/Z-6500 In-line Flow Monitor are spring-loaded variable-area flowmeters. They can be installed and used in any direction. These instruments measure flow rate by balancing the drag force of a spring with the force exerted on a float, which is propelled by fluid flow. When fluid passes through a tapered tube, the float experiences a thrust due to the fluid's kinetic energy, while the spring provides an opposing resistance. As the flow rate increases, the float moves further, expanding the annular passage area. Ultimately, the float stabilizes at a position where the spring force balances the hydrodynamic force, directly indicating the flow rate via its position.

### FEATURES

- Installable in any direction
- Optional with alarm switch output
- Measurement unaffected by gravity
- Ideal for applications with vibration
- Low pressure loss, high reliability
- Wide fluid compatibility
- Installation requires no upstream or downstream straight pipeline
- Ready to use upon installation, convenient operation

### APPLICATIONS

- Petrochemical Industry
- Metallurgical Industry
- Textile Industry
- Pharmaceutical Industry
- Semiconductor Industry
- Food and Beverage Industry
- Paper and Pulp
- Power Plants
- Urban Water Supply and Drainage
- Environmental Protection
- New Energy Industry
- Shipbuilding Industry

### SPECIFICATIONS

<b>Service</b>	Liquid
<b>Wetted Material</b>	Body: PSU; Connection: 304 Stainless Steel
<b>Accuracy</b>	±6%
<b>Temperature Rating</b>	0°C to 100°C
<b>Pressure Rating</b>	Less than 1MPa
<b>Connection Method</b>	Selectable according to model

### MODEL CHART

Example	Z-60	11	-M3	-M	
<b>Series</b>	Z-6000				In-line Flow Monitor
<b>Scale Range</b>		11			Dual-scale range: 0.5GPM - 5GPM / 2LPM - 20LPM; weight: 0.4Kg
		12			Dual-scale range: 1GPM - 7GPM / 3LPM - 25LPM; weight: 0.4Kg
		13			Dual-scale range: 1GPM - 10GPM / 4LPM - 35LPM; weight: 0.4Kg
		14			Dual-scale range: 1GPM - 16GPM / 5LPM - 60LPM; weight: 0.4Kg
		15			Dual-scale range: 3GPM - 20GPM / 10LPM - 70LPM; weight: 0.5Kg
		16			Dual-scale range: 4GPM - 28GPM / 10LPM - 100LPM; weight: 0.5Kg
<b>Process Connection</b>			F1		1"FNPT (for Scale Range 15, 16 only)
			F2		1/2"FNPT (for Scale Range 11, 12, 13, 14 only)
			F3		3/4"FNPT (for Scale Range 15, 16 only)
			M3		3/4"MNPT (for Scale Range 11, 12, 13, 14 only)
			M1		1"MNPT (for Scale Range 15, 16 only)
<b>Alarm output</b>				U	High alarm only
				D	Low alarm only
				M	Both high and low alarms
				N	No alarm output

### MODEL CHART

Example	Z-65	01	-1	
<b>Series</b>	Z-6500			In-line Flow Monitor
<b>Series</b>		01		Dual-scale range: 3GPM - 25GPM / 12LPM - 90LPM
		02		Dual-scale range: 5GPM - 50GPM / 20LPM - 200LPM
		03		Dual-scale range: 8GPM - 80GPM / 30LPM - 300LPM
		04		Dual-scale range: 10GPM - 100GPM / 40LPM - 400LPM
<b>Process Connection</b>			1	NPT: 1-1/4"
			2	NPT: 1-1/2"
			3	NPT: 2"